

Call & Panic Buttons for this System...continued

1115 Pendant & Wrist Strap panic button

The 1115 panic button is a battery powered unit that, as standard, will send a panic signal to the radio receiver. This unit can be programmed to send a less urgent 'Call' alert if required. Please contact Call Aid UK for more details.



Cancelling at source

To cancel a panic call, please press and hold until the green lamp starts blinking (For three seconds). The alert will now have been cleared from the receiver.

Low battery warning

When a panic button is pressed and the battery is low, a low battery signal will be sent to the master receiver. The message can only be removed by changing the battery in the 1115 panic button and then triggering & cancelling the alert. This function will not work while the system is in 'Silent Test' mode.

The battery type is: **CR2032**

Changing the battery

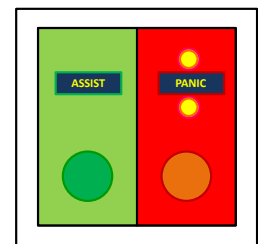
The **CR2032** button cell will power this call button for many months (depending on usage). To change the battery, remove the screw on the rear of the housing. Pull the rubber holder away from the housing to allow purchase on the edge of the housing to separate the two halves.

The battery can be lifted out of its holder. Replace with a new battery.

To reassemble, ensure that the rubber strap holder is correctly fitted to the back half of the housing before placing the other half in position. A gentle squeeze should bring the two halves together. Refit the screw (Do not over tighten as damage may result), refit the strap or lanyard.

Wall mounted assist/panic button

These wall units have two buttons. Pressing the GREEN button will send an assist call signal to the 1142 master which will display the identity of the call and a low level audio alert. Pressing the RED button on the wall unit will send a high level alert to the 1142 master.

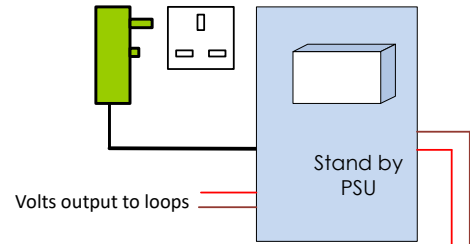
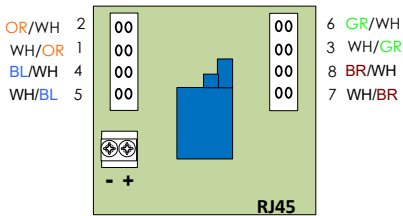


The labels in the buttons will vary depending on the application or usage.

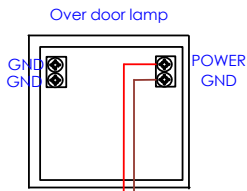
Cancelling at source

To cancel an alert at the call unit press and hold **both buttons**. The reassurance lights will stop flashing and the alert will have cleared from the 1142 master panel.

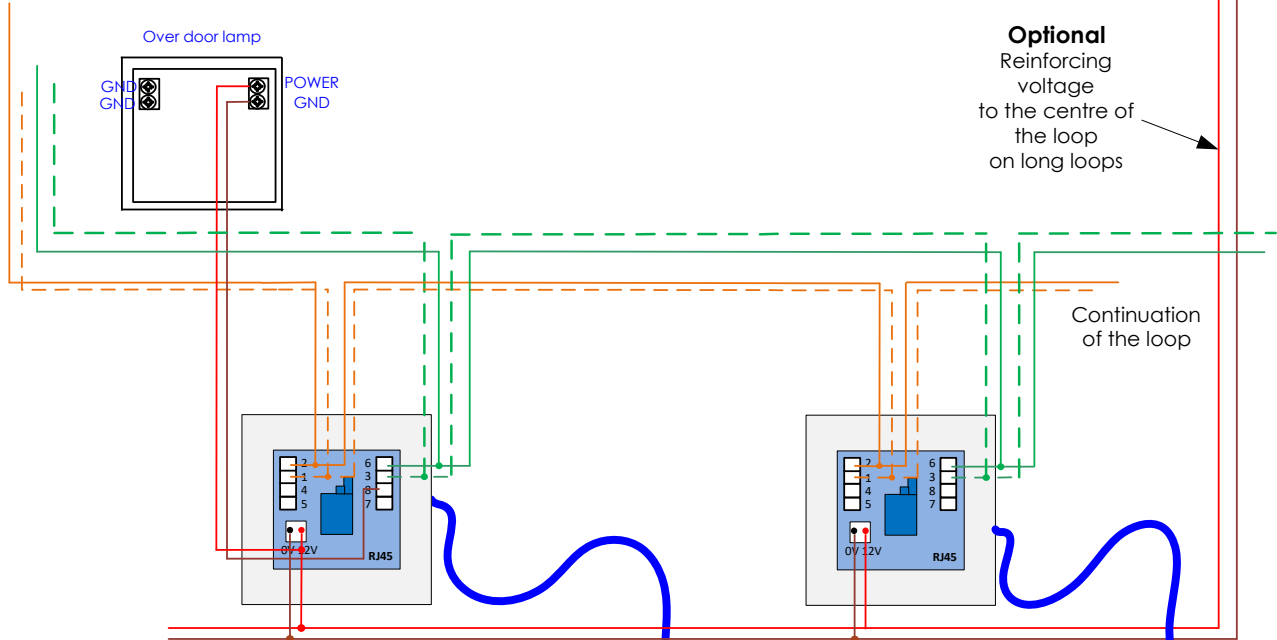
RJ45 General Loop Wiring Schematic



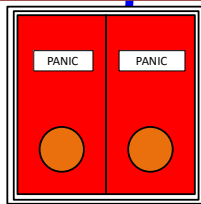
Continuation of the loop



Optional
Reinforcing voltage to the centre of the loop on long loops

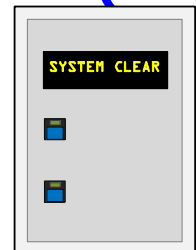


Please Double the loop in /loop out connections into the RJ45 socket



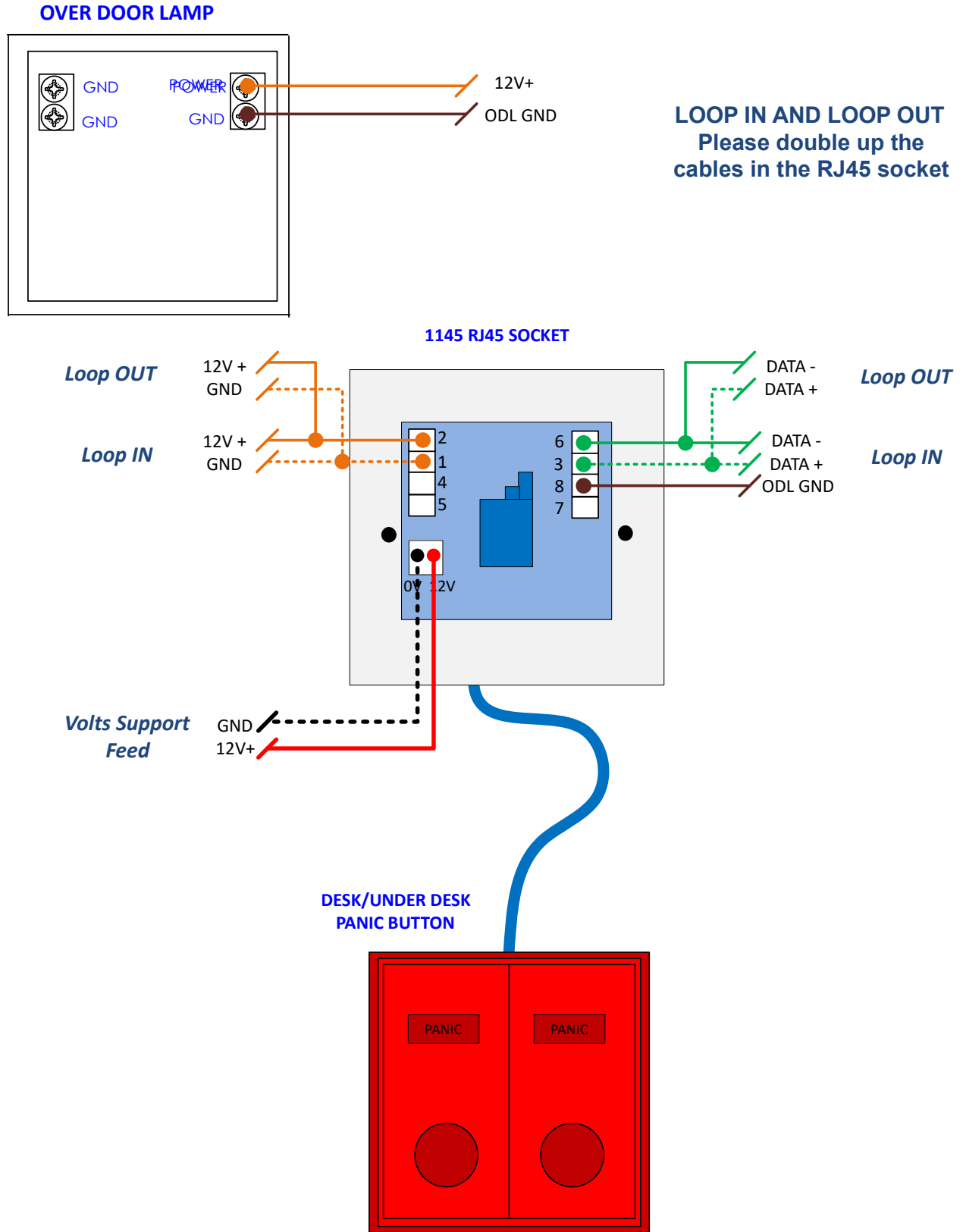
Under desk panic button

Please Double the loop in /loop out connections into the RJ45 socket



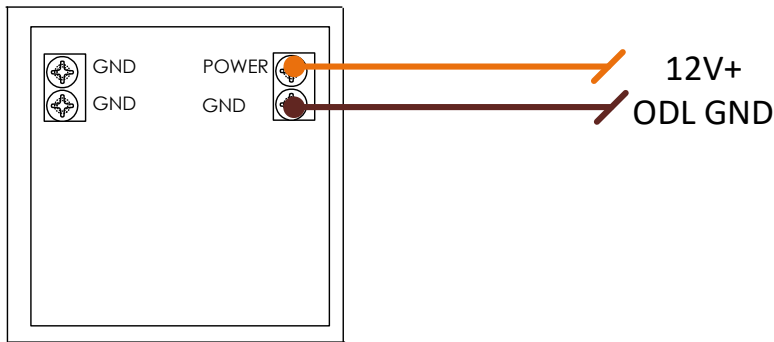
Display Panel 1142RX

RJ45 socket and ODL Wiring Diagram

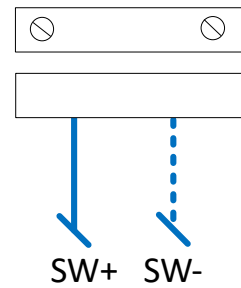


1171 CUPBOARD/FIRE EXIT WIRING EXAMPLE 03 12 15

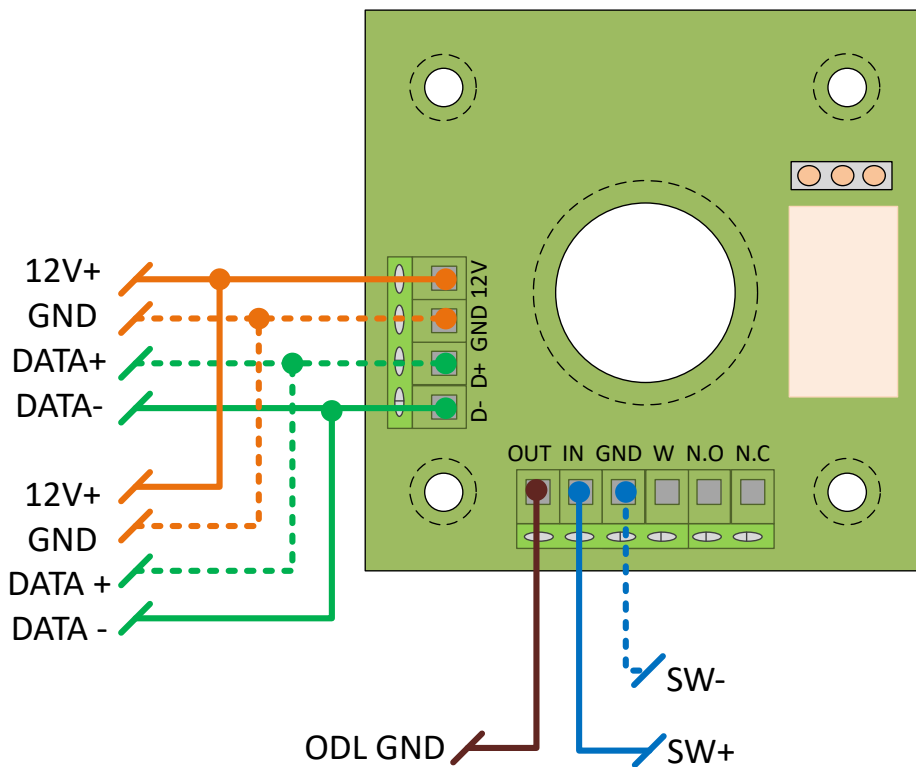
1110 ODL



N.O CONTACT



1171 KEYSWITCH





1124 Radio ceiling pull switch

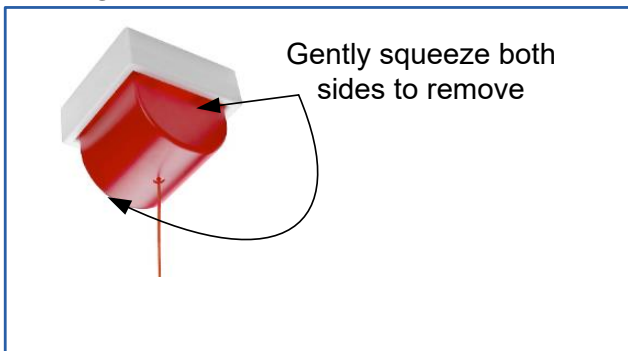
The Radio ceiling pull switch is a battery powered call unit that will transmit a signal to a receiver. The signal can be set either as a call (low level call) or a panic (high level call).

Installing the 1124

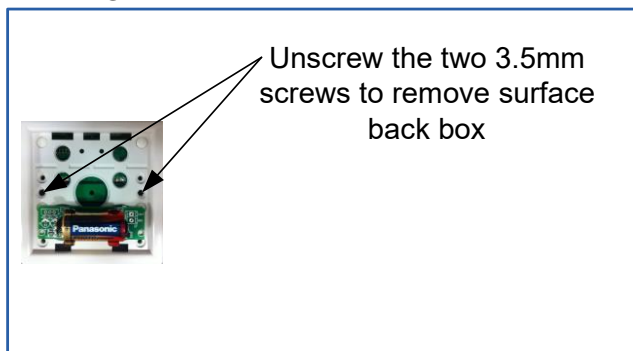
The 1124 are supplied with a standard single gang surface back box unless specified. To remove the back box, first gently squeeze the two flat sides of the oval cover and lift off (STAGE 1). It is now possible to see the battery PCB and the two 3.5mm screws. Remove the two screws and the back box will be free to be installed.

To fit the 1124 back to the surface box, fasten with the two 3.5mm screws supplied, these are the correct length. clip in the dome cover. When replacing the dome cover ensure that the side with the single lug is positioned first (to the side with 3 cut outs) and then click in the other side.

STAGE 1

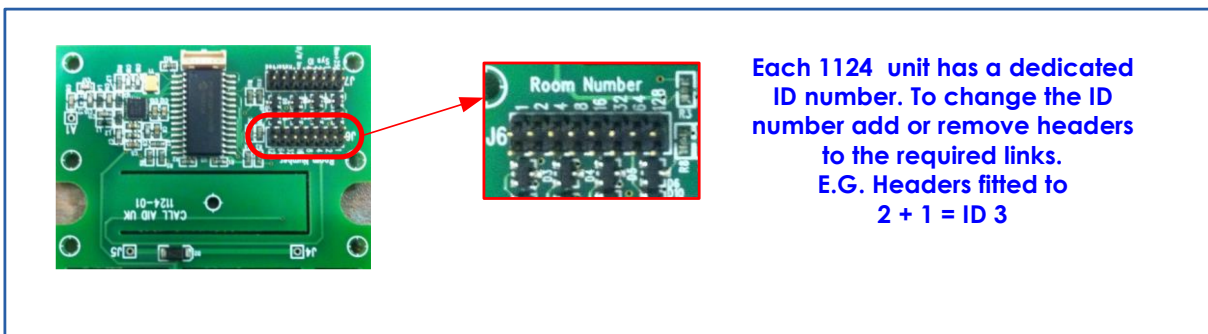


STAGE 2



Setting the ID of the 1124

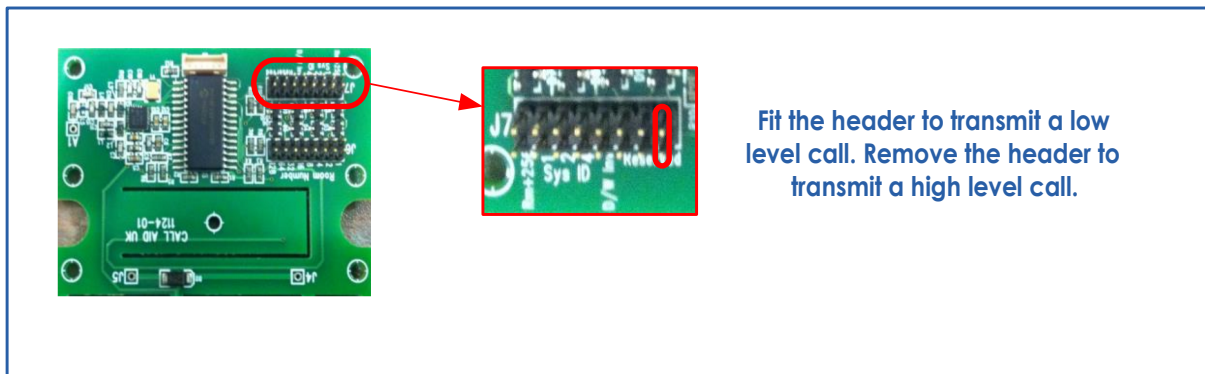
If the ID's of the 1124 are known in advance then the numbering of the ID's will be completed during manufacture. However these are easily changed by moving the headers on the PCB as shown below.



Setting the call level

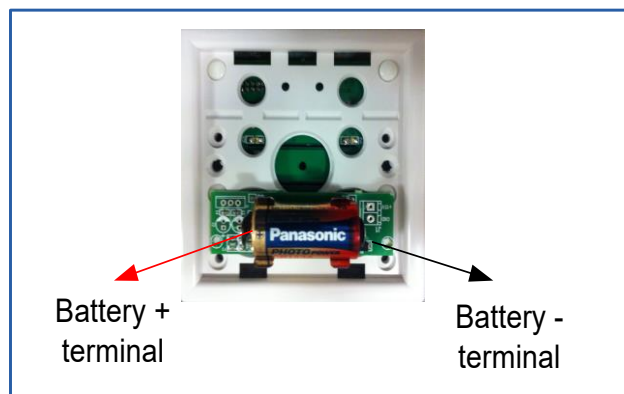
The 1124 can send two levels of call either Call (Low level assistance) or Panic (High level panic) these functions will be available depending on the type of the receiver fitted.

To change the call level a header needs to be added or removed, see picture below for the header to use. If the header is fitted a low level call is transmitted, if the header is not fitted a high level call is transmitted.



Changing the battery

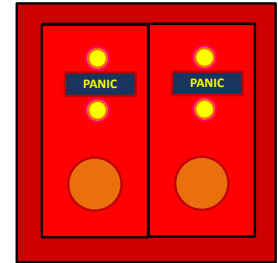
The 1124 has a CR123A battery which should last years depending on the usage. When the battery needs to be changed remove the dome cover as previously described and lift the battery from the clips. Ensure that the battery is inserted with the correct polarity.



Call & Panic Buttons for this System...continued

Radio Under desk panic button

The under desk panic button has two red buttons; these buttons have a large dimple to assist the operator to find the correct part of the button to press. When either buttons is pressed a panic call is sent to the 1142RX master. There is a red lamp mounted on the side facing out as a reassurance lamp to be seen by the operator. When installing this unit ensure that the dimples are nearest to the operator.

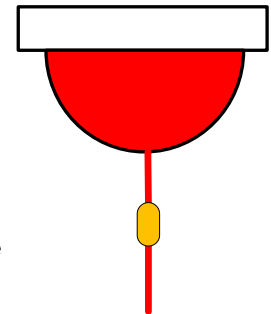


Cancelling at source

To cancel an alert at the call unit press and hold **both buttons**. The reassurance lights will stop flashing and the alert will have cleared from the 1142RX master panel.

Radio ceiling mounted pull switch

When the orange cord is pulled this unit will send a high level call alert to the 1142RXmaster. This unit complies with the relevant regulations for this application.

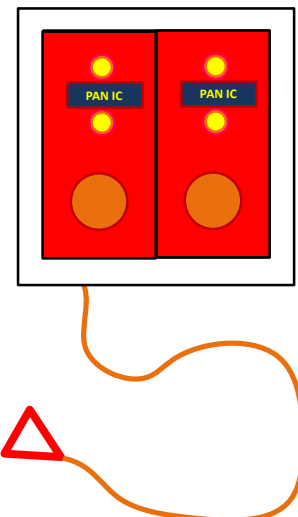


Cancelling at source

To cancel an alert at the ceiling mounted pull switch pull the cord four times in quick succession. The reassurance lights will stop flashing and the alert will have cleared from the 1142RX master panel.

Disabled toilet wall mounted panic button

These units operate along the same lines as the other wall call units. When either button is pressed a high level alert will be sent to the 1142RX master. For disabled toilet applications this unit is supplied with an orange pull cord and triangle.



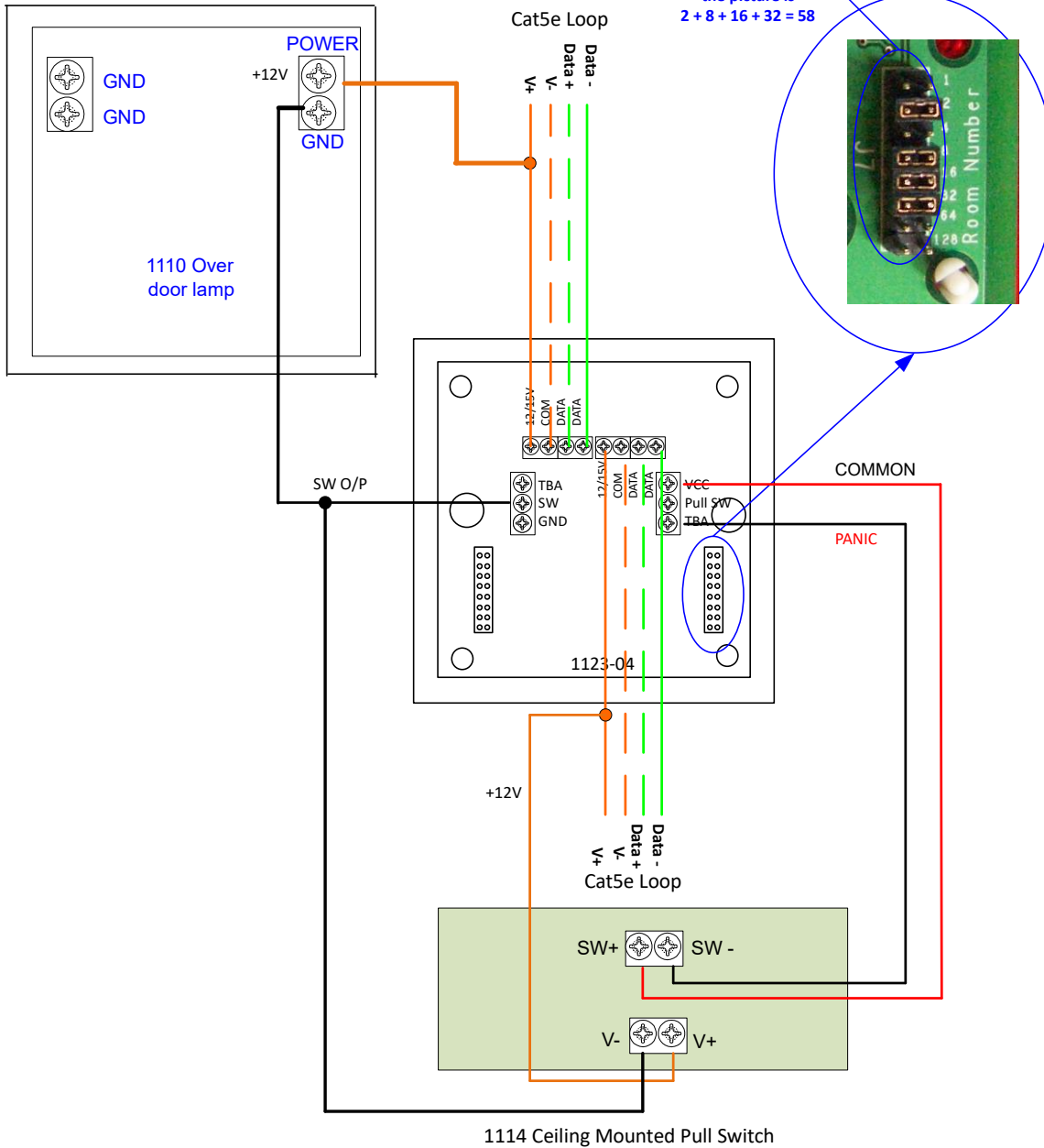
Cancelling at source

To cancel an alert at the call unit press and hold **both buttons**. The reassurance lights will stop flashing and the alert will have cleared from the 1142RX master panel.

1123 + 1114 Ceiling mount pull switch & 1110 over door lamp wiring details



Each 1123 addressable unit has a dedicated room number. To change the room number add or remove headers to the required links. The room number shown in the picture is $2 + 8 + 16 + 32 = 58$

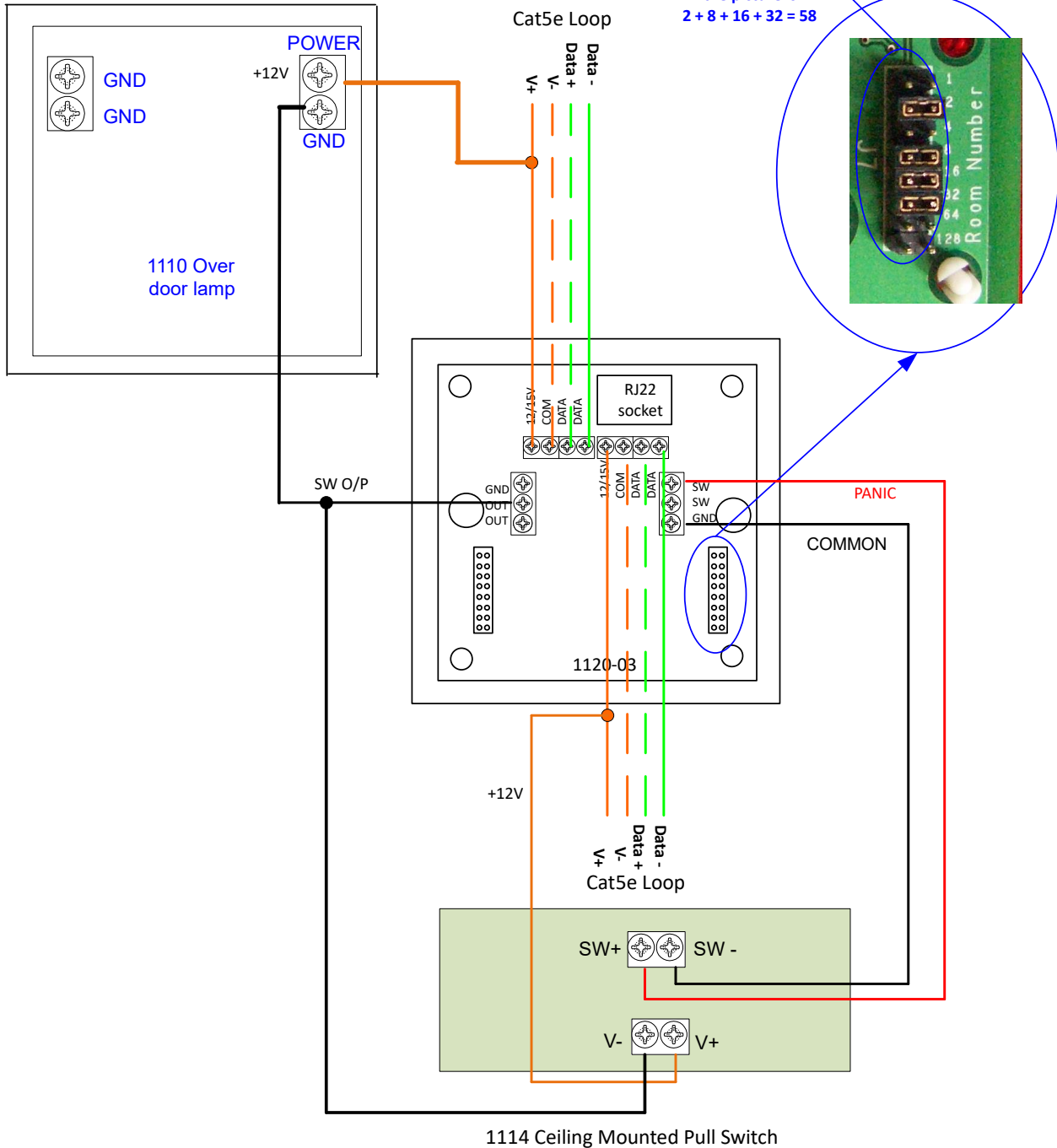


NOTE: should a slave push button be used instead of the ceiling mounted push button the connections will be the same

1120 + 1114 Ceiling mount pull switch & Call Aid UK 1110 over door lamp wiring details

A Sales Division Of Circuit Bureau Ltd

Each 1120 addressable unit has a dedicated room number. To change the room number add or remove headers to the required links. The room number shown in the picture is $2 + 8 + 16 + 32 = 58$



NOTE: should a slave push button be used instead of the ceiling mounted push button the connections will be the same